

Environmentally friendly
Ergonomic
Efficient
Elegant
Elaborative
Expansibility
Easy Maintenance



LittleDuck

E7 SERIES REFRIGERATION SHOWCASE

Vertical Front Glass Counter Service Fridge

E7 Pittsburgh
Vertical Glass Cover or Flat Open

Vertical Front Glass
Length 1250mm, 1875mm, 2500mm, 3750mm
Optional: LED lighting



LittleDuck

Vertical Glass Cover Model



Flat open Model



CE ISO9001 ISO14001

Standard Options:

- Length Option: 1250mm, 1875mm, 2500mm & 3750mm, can be jointed together according to user's needs.
- Case width 1133mm
- Cover Option: vertical front glass or flat open (no cover)
- Available plastic price-tag
- Available light on canopy of liftable glass cover model
- Viewable inner plate option: steel plate painted as standard, 304 stainless steel plate as optional item.
- Defrost: electrical heater
- Controller: CAREL brand, Easy series
- Expansion Valve: DANFOSS, balance mechanical thermal expansion valve.
- Fan motor: EBM, conventional energy efficiency
- Refrigerant: R404a
- Color: RAL standard

Energy Saving Option:

- Canopy LED light for liftable glass cover model

Intelligent Control Option:

- CAREL MPX Controller with thermal expansion valve (TEV).
- CAREL MPX Controller with electronic expansion valve (EEV).

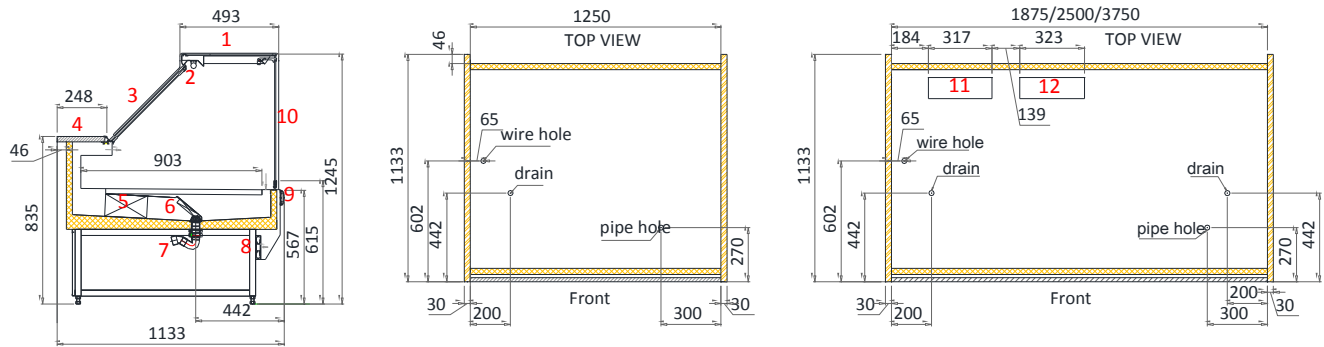
Application:

It is used to sell and display kind of meat, cooked foods, milk products, and cold drink and so on, the running temperature is 0~5°C.

Features and Benefits:

1. We can supply vertical glass cover type and flat open model to meet different demands of using.
2. Adopted toughened glass on the top and front which impact resistance is strong, and it is equipped with the anti-sweat fan, good display effect can be achieved.
3. The distribution of double-layer air curtain is designed to achieve optimized air curtain structure, the refrigerated effect is more perfect, and solve the frosting blockage.
4. The unique stepped sliding door is available on upper-back.
5. The running condition of goods can be monitored by computer in real time when using optional intelligent control.
6. Adopted easy disassemble design for the bottom shelves, back plates, cover plate of fan which would be easy to inspection and maintenance.
7. Designed filter for drainage inlet to prevent blockages of drain system.
8. Viewable inner plate including bottom plate, back inner plate, air outlet, air inlet part can choose stainless steel.
9. Extra large capacity with extra large display area provides best display effect.





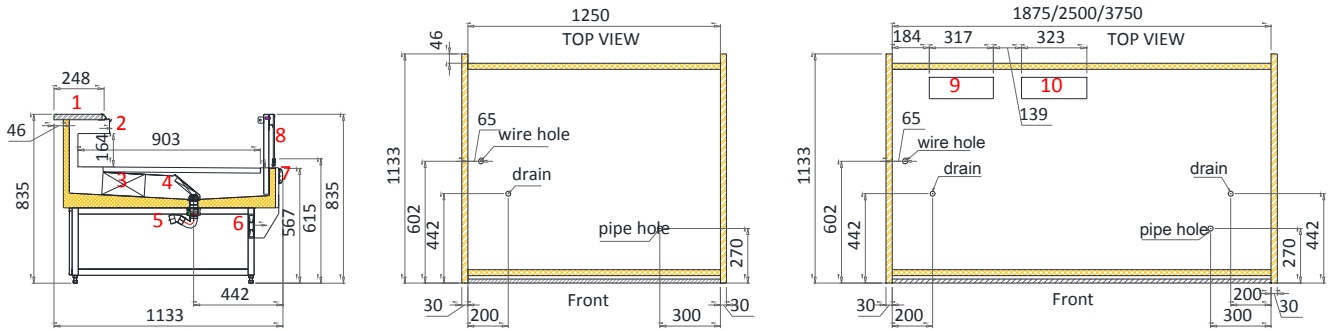
- 1. Glass Canopy
- 2. Top Light
- 3. Sliding Glass Cover
- 4. Service Table
- 5. Coil
- 6. Evaporating Fang
- 7. Drain
- 8. Anti-Sweat Fan
- 9. Bumper
- 10. Vertical Glass
- 11. Control Box
- 12. Ballast Box

CAPACITY	Case Length	Cover Option	Model Number	Dimension, mm	Display Area, m ²	Capacity, dm ³
	12 (1250mm)	Vertical Front Glass	FZ-E7PZ-F12G-01	1250x1133x1245	1.12	175
	18 (1875mm)	Vertical Front Glass	FZ-E7PZ-F18G-01	1875x1133x1245	1.90	262
	25 (2500mm)	Vertical Front Glass	FZ-E7PZ-F25G-01	2500x1133x1245	2.24	349
	37 (3750mm)	Vertical Front Glass	FZ-E7PZ-F37G-01	3750x1133x1245	3.80	524

ELECTRICAL DATA	Case Length	Cover Option	Canopy Lighting Data @ 220V				Fan Data @ 220V				Electrical Heater			
			Lamps Qty.	Fluorescent T8 Lighting		LED Lighting		Fans Qty.	Standard Fans		Frame Anti-Sweat @220V		Defrosting @220V	
				Amps	Watts	Amps	Watts		Amps	Watts	Amps	Watts	Amps	Watts
			12 (1250mm)	Vertical Front Glass	1	0.16	36	0.08	18	2	0.17	38	0.17	38
18 (1875mm)	Vertical Front Glass	2	0.27	60	0.14	30	4	0.35	76	0.25	55	3.41	750	
25 (2500mm)	Vertical Front Glass	2	0.33	72	0.16	36	4	0.35	76	0.34	74	4.55	1,000	
37 (3750mm)	Vertical Front Glass	3	0.49	108	0.25	54	6	0.52	114	0.51	111	6.82	1,500	

REFRIGERATION DATA	Case Length	Cover Option	Application at T=25 °C, RH=60%)	Refrigerant Gas	Required Cooling Capacity, W	Saturated suction Temp. °C	Input Power, Watts	Rated Current, Amps	Power Consumption, Kwh/24h
	12 (1250mm)	Vertical Front Glass	-1~+5 °C	R404a	600	-10	612	3.00	2.88
	18 (1875mm)	Vertical Front Glass	-1~+5 °C	R404a	900	-10	941	4.76	4.80
	25 (2500mm)	Vertical Front Glass	-1~+5 °C	R404a	1,100	-10	1,222	5.98	5.71
	37 (3750mm)	Vertical Front Glass	-1~+5 °C	R404a	1,600	-10	1,833	8.97	8.58





- 1. Service Table 2. Air Curtain 3. Coil 4. Evaporating Fan 5. Drain
- 6. Anti-Sweat Fan 7. Bumper 8. Vertical Glass 9. Control Box 10. Ballast Box

CAPACITY	Case Length	Cover Option	Model Number	Dimension, mm	Display Area, m ²	Capacity, dm ³
	12 (1250mm)	Flat Open/No Cover	FZ-E7PZ-F12P-01	1250x1133x835	1.34	175
	18 (1875mm)	Flat Open/No Cover	FZ-E7PZ-F18P-01	1875x1133x835	2.28	262
	25 (2500mm)	Flat Open/No Cover	FZ-E7PZ-F25P-01	2500x1133x835	2.69	349
	37 (3750mm)	Flat Open/No Cover	FZ-E7PZ-F37P-01	3750x1133x835	4.56	524

ELECTRICAL DATA	Case Length	Cover Option	Fan Data @ 220V			Electrical Heater			
			Fans Qty.	Standard Fans		Frame Anti-Sweat @ 220V		Defrosting @ 220V	
				Amps	Watts	Amps	Watts	Amps	Watts
12 (1250mm)	Flat Open/No Cover	2	0.17	38	0.17	38	2.27	500	
18 (1875mm)	Flat Open/No Cover	4	0.35	76	0.25	55	3.41	750	
25 (2500mm)	Flat Open/No Cover	4	0.35	76	0.34	74	4.55	1,000	
37 (3750mm)	Flat Open/No Cover	6	0.52	114	0.51	111	6.82	1,500	

REFRIGERATION DATA	Case Length	Cover Option	Application at T=25 °C, RH=60%	Refrigerant Gas	Required Cooling Capacity, W	Saturated suction Temp. °C	Input Power, Watts	Rated Current, Amps	Power Consumption, Kwh/24h
	12 (1250mm)	Flat Open/No Cover	-1~+5 °C	R404a	600	-10	576	2.57	2.66
	18 (1875mm)	Flat Open/No Cover	-1~+5 °C	R404a	900	-10	881	3.90	4.39
	25 (2500mm)	Flat Open/No Cover	-1~+5 °C	R404a	1,100	-10	1,150	5.12	5.27
	37 (3750mm)	Flat Open/No Cover	-1~+5 °C	R404a	1,600	-10	1,725	7.68	7.91

