

Environmentally friendly
Ergonomic
Efficient
Elegant
Expansibility
Easy Maintenance

E6

LittleDuck
E6 SERIES REFRIGERATION SHOWCASE

Arc Glass Dry Heated & Moist Heated Counter Service

E6 Alaska
Dry Heated & Moist Heated

Length 1250mm, 1875mm, 2500mm, 3750mm
90 degree Inner Corner/Outer Corner
Optional: LED lighting



LittleDuck



CE ISO9001 ISO14001

Standard Options:

- Length Option: 1250mm, 1875mm, 2500mm & 3750mm, can be jointed together according to user's needs.
- Case width 1180mm
- Heating mode option: dry heated, moist heated
- Available plastic price-tag
- Available light under canopy
- Available 304 stainless steel plate (L355xW325xD65mm), qty. 6pcs for 1250mm, 10pcs for 1875mm, 14pcs for 2500mm, 20pcs for 3750mm
- Optional socket and supporter of electronic scale
- Heated: electrical heater
- Controller: CAREL brand, Easy series
- Fan motor: EBM, conventional energy efficiency
- Color: RAL standard

Energy Saving Option:

- Canopy LED light

Application:

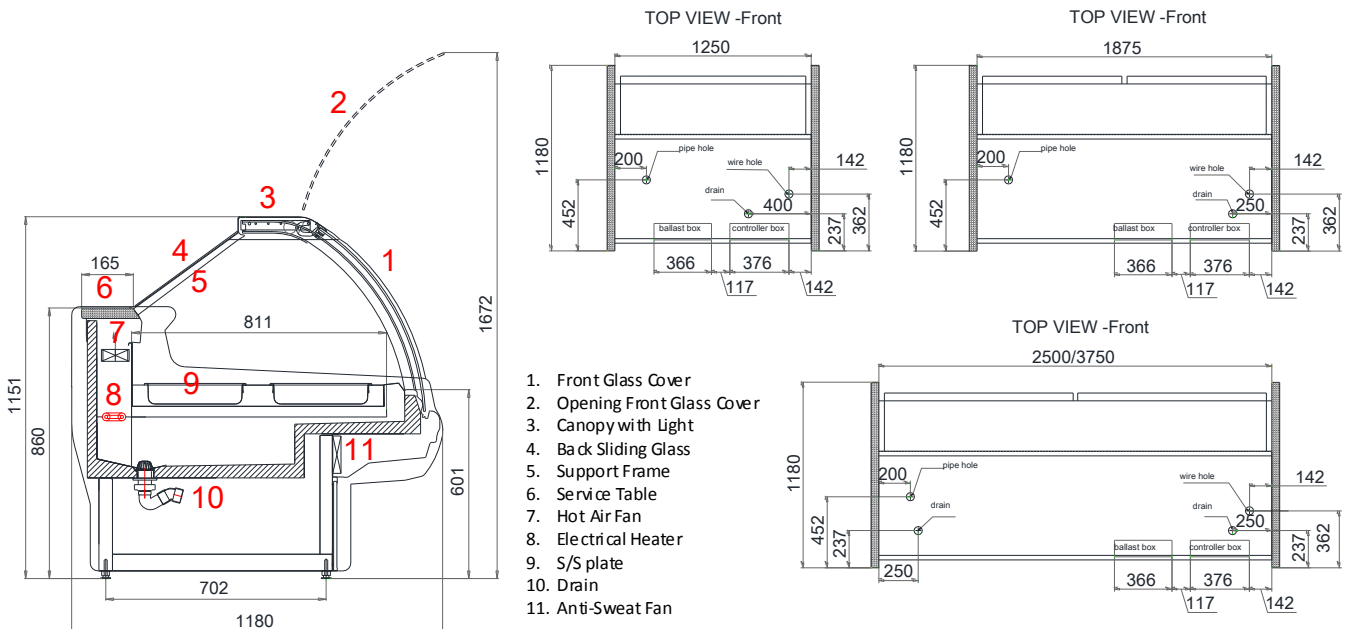
The dry heated cabinet is used to display and sell kind of baked, smoked, pan fried and deep fried food when the temperature is 60~65°C.

The moist heated cabinet is used to display and sell boiled food, stir-fried food with juices at 60~65°C.

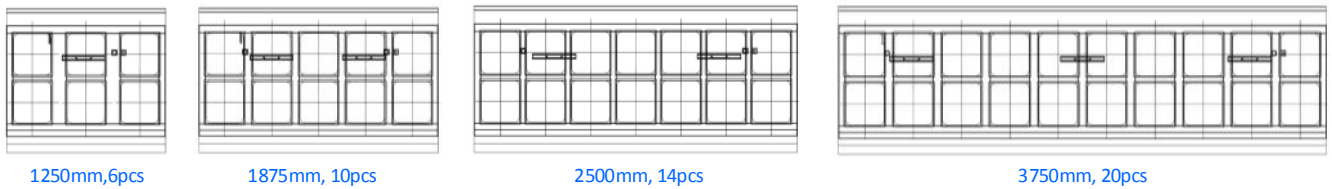
Features and Benefits:

1. The dry heated cabinet is adopted the heated skill of the national patent: the heating mode of hot air circulation, the temperature is even and constant; the food is not easy to change color, and taste well. Can not appear the temperature is too higher on some area of cabinets and the moisture loss of food is decrease 30% than traditional hot cabinet.
2. The moist heated cabinet is adopted the hot water heating system with automatic water feeder device which is easy to operate.
3. Adopted separated control system for electrical heater and light system, it is convenient operation and energy saving.
4. The great circle toughened glass cover can be opened and lifted which is easy to clean.
5. The unique stepped sliding door on upper-back is easy to operate.
6. The socket of electronic scale is optional.
7. Designed filter for drainage inlet to prevent blockages of drain system.





Stainless Steel Tray for Dry Heated Cabinet, tray spec L355mm x W325mm x D65mm

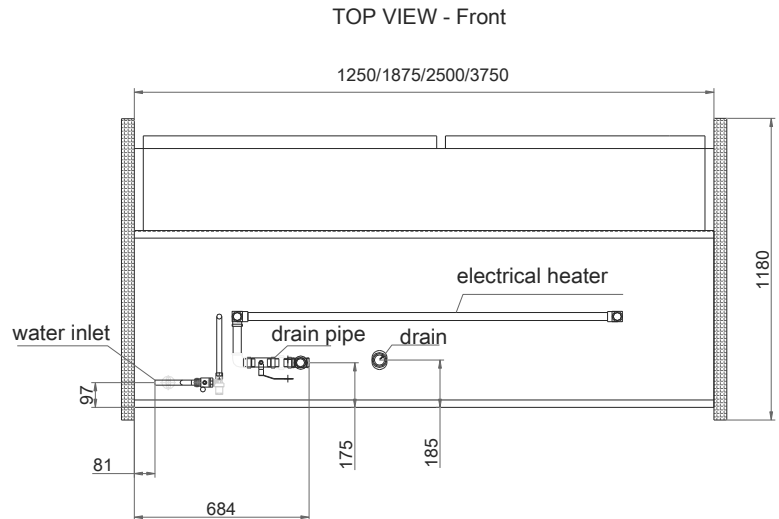
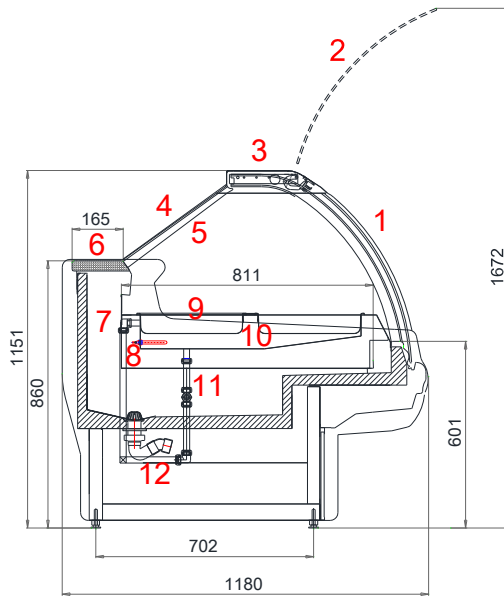


CAPACITY	Case Length	Heated Option	Model Number	Dimension, mm	Display Area, m ²	Capacity, dm ³
	12 (1250mm)	Dry Heated	FR-E6AL-G12K-02	1250x1180x1151	0.9	165
18 (1875mm)	Dry Heated	FR-E6AL-G18K-02	1875x1180x1151	1.3	248	
25 (2500mm)	Dry Heated	FR-E6AL-G25K-02	2500x1180x1151	1.8	330	
37 (3750mm)	Dry Heated	FR-E6AL-G37K-02	3750x1180x1151	2.6	495	
Outer Corner	Dry Heated	FR-E6WA-G90K-02	1254x1254x1151	0.98	180	
Inner Corner	Dry Heated	FR-E6NA-G90G-02	1254x1254x1151	0.98	180	

ELECTRICAL DATA	Case Length	Heated Option	Canopy Lighting Data @ 220V				Fan Data @ 220V				Electrical Heater	
			Lamps Qty.	Fluorescent T8 Light-ing		LED Lighting		Fans Qty.	Standard Fans			
				Amps	Watts	Amps	Watts		Amps	Watts	Amps	Watts
12 (1250mm)	Dry Heated	1	0.14	30	0.07	15	2	0.15	32	3.64	800	
18 (1875mm)	Dry Heated	2	0.16	36	0.11	24	4	0.29	64	4.55	1,000	
25 (2500mm)	Dry Heated	2	0.27	60	0.14	30	4	0.29	64	6.14	1,350	
37 (3750mm)	Dry Heated	3	0.49	108	0.25	54	6	0.44	96	9.09	2,000	
Outer Corner	Dry Heated	1	0.08	18	0.05	12	2	0.15	32	3.64	800	
Inner Corner	Dry Heated	1	0.08	18	0.05	12	2	0.15	32	3.64	800	

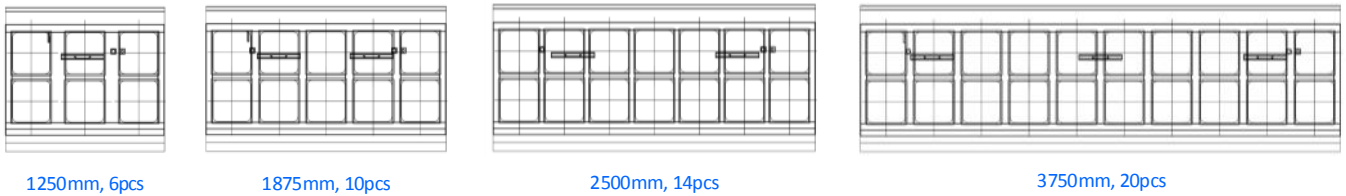
POWER DATA	Case Length	Heated Option	Application at T=25 °C , RH=60%)	Power Supply	Input Power, Watts	Rated Current, Amps	Power Consumption, Kwh/24h
	12 (1250mm)	Dry Heated	60~65 °C	380V/3Ph/50Hz	862	4.23	8.42
18 (1875mm)	Dry Heated	60~65 °C	380V/3Ph/50Hz	1,100	5.52	10.8	
25 (2500mm)	Dry Heated	60~65 °C	380V/3Ph/50Hz	1,474	7.32	14.45	
37 (3750mm)	Dry Heated	60~65 °C	380V/3Ph/50Hz	2,204	10.86	21.65	
Outer Corner	Dry Heated	60~65 °C	380V/3Ph/50Hz	850	3.81	8.28	
Inner Corner	Dry Heated	60~65 °C	380V/3Ph/50Hz	850	3.81	8.28	





- 1. Front Glass Cover
- 2. Opening Front Glass Cover
- 3. Canopy with Light
- 4. Back Sliding Glass
- 5. Support Frame
- 6. Service Table
- 7. Water Inlet
- 8. Electrical Heater
- 9. S/S plate
- 10. Water Tank
- 11. Drain Pipe
- 12. Drainage

Stainless Steel Tray for Dry Heated Cabinet, tray spec L355mm x W325mm x D65mm



CAPACITY	Case Length	Heated Option	Model Number	Dimension, mm	Display Area, m ²	Capacity, dm ³
	12 (1250mm)	Moist Heated	FR-E6AL-S12K-01	1250x1180x1151	0.9	165
18 (1875mm)	Moist Heated	FR-E6AL-S18K-01	1875x1180x1151	1.3	248	
25 (2500mm)	Moist Heated	FR-E6AL-S25K-01	2500x1180x1151	1.8	330	
37 (3750mm)	Moist Heated	FR-E6AL-S37K-01	3750x1180x1151	2.6	495	

ELECTRICAL DATA	Case Length	Heated Option	Canopy Lighting Data @ 220V				Electrical Heater		
			Lamps Qty.	Fluorescent T8 Lighting		LED Lighting		Amps	Watts
				Amps	Watts	Amps	Watts		
12 (1250mm)	Moist Heated	1	0.14	30	0.07	15	5.91	1300	
18 (1875mm)	Moist Heated	2	0.16	36	0.11	24	11.82	2600	
25 (2500mm)	Moist Heated	2	0.27	60	0.14	30	11.82	2600	
37 (3750mm)	Moist Heated	3	0.49	108	0.25	54	17.73	3900	

POWER DATA	Case Length	Heated Option	Application at T=25 °C , RH=60%	Power Supply	Input Power, Watts	Rated Current, Amps	Power Consumption, Kwh/24h
	12 (1250mm)	Moist Heated	60~65 °C	380V/3Ph/50Hz	1,335	6.34	12.9
18 (1875mm)	Moist Heated	60~65 °C	380V/3Ph/50Hz	2,646	12.55	25.51	
25 (2500mm)	Moist Heated	60~65 °C	380V/3Ph/50Hz	2,670	12.68	25.8	
37 (3750mm)	Moist Heated	60~65 °C	380V/3Ph/50Hz	4,005	19.02	38.7	

