

Environmentally friendly

Ergonomic

Efficient

Elegant

Elaborative

Expansibility

Easy Maintenance



LittleDuck

E7 SERIES REFRIGERATION SHOWCASE

Low Front & Narrow Multi-Deck Case

E7 Hemet Air-Curtain or Glass Door

Height 2030mm, 2180mm

Case Thickness 765mm

Length Spec: 1875mm, 2500mm, 3750mm

Door Option: 3 Door 4 Door 6 Door

Optional: LED lighting, Energy-saving Fan





CE ISO9001 ISO14001

Standard Options:

- Length Option: 1875mm, 2500mm & 3750mm, can be jointed together according to user's needs.
- Height Option: 2030mm, 2180mm
- Low front Edge: up to 350mm
- End panel option: all view Glass end panel, PU end panel, PU end panel with inner mirror.
- Standard Shelf option: 4 rows 400mm and 1 bottom for height 2030mm, 5 rows 400mm and 1 bottom for height 2180mm.
- Available light options include: canopy, shelf, door at T8 fluorescent.
- Available night curtain
- Available plastic combo shelf-stop and price-tag
- Defrost: natural defrosting, without electric heater
- Controller: CAREL brand, Easy series
- Expansion Valve: DANFOSS, balance mechanical thermal expansion valve.
- Fan motor: EBM, conventional energy efficiency
- Refrigerant: R404a

Energy Saving Option:

- Hinged Glass Door: 3, 4 and 6 Doors
- LED light for canopy, shelf and door
- High Efficiency Fans with CAREL multi-function controller

Intelligent Control Option:

- CAREL MPX Controller with thermal expansion valve (TEV).
- CAREL MPX Controller with electronic expansion valve (EEV).

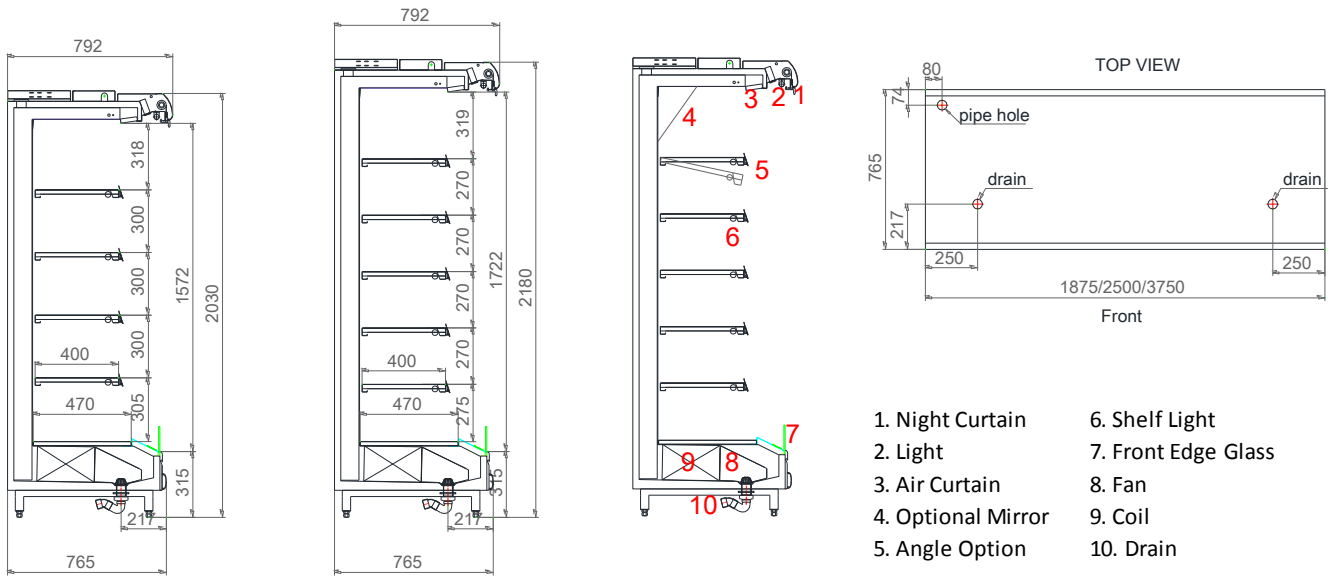
Application:

The different running temperature ranges can be set according to the different demands at -1°C to 10°C :

1. M1(-1~5°C) for fresh meat, sea food;
2. M2(-1~7°C) for daily products, such as beverage, milk products, sausages and cooked foods;
3. M3(1~10°C) for fruits and vegetables, etc.

Features and Benefits:

1. Adopted NARROW design, its thickness only was 765mm, space-saving.
2. Low front edge up to 350mm, improving display effect.
3. Angle adjustable shelf achieved satisfy the different display effect.
4. Using stepwise laminar air curtain and back jet cooling technology achieve uniform temperature and effectively reduce consumption of cooling capacity.
5. Adopting efficient precooling evaporator design with corrugated fin, reduce frost and using Natural-Defrost mode for energy saving.
6. Designed filter for drainage inlet to prevent blockages of drain system.
7. Reserved a fuse in electrical control box, easy to replace.
8. Canopy light and shelf light can be controlled separately for power saving operation.
9. CO₂, Glycol and hot gas defrosting can be option for application of energy conservation and environmental protection.
10. Optional top mirror can improve visual effect.
11. The 6 rows of shelf will be available, as optional item on height 2180mm model, use for displaying eggs, fruit etc.
12. Optional hinged glass door, for energy saving upto 35%.



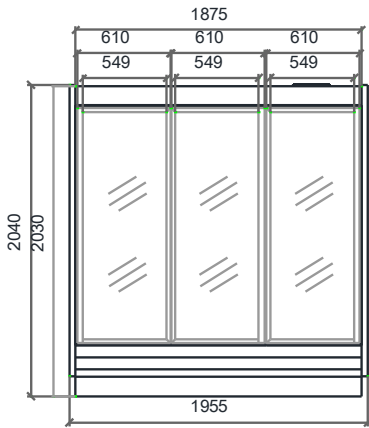
SPEC & CAPACITY	Length	Height, mm	Model Number	Display Area, m ²	Capacity, dm ³	Display Area, ft ²	Capacity, ft ³
	18(1875mm)	2030	BZ-E7HM-F18203Y-01	2.90	1,260	31.22	44.50
	25(2500mm)	2030	BZ-E7HM-F25203Y-01	3.87	1,692	41.66	59.75
	37(3750mm)	2030	BZ-E7HM-F37203Y-01	5.81	2,538	62.54	89.63
	18(1875mm)	2180	BZ-E7HM-F18203Y-01	3.17	1,378	34.12	48.66
	25(2500mm)	2180	BZ-E7HM-F25203Y-01	4.22	1,837	45.42	64.87
	37(3750mm)	2180	BZ-E7HM-F37203Y-01	6.33	2,756	68.14	97.33

ELECTRICAL DATA	Case Length	Height, mm	Lighting Data @ 220V				Fan Data @ 220V				Electrical Heater			
			Lamps Qty.	Fluorescent T8 Lighting		LED Lighting		Fans Qty.	Standard Fans		High Efficiency Fans		Anti-Sweat @220V	
				Amps	Watts	Amps	Watts		Amps	Watts	Amps	Watts	Amps	Watts
	18(1875mm)	2030	10	0.87	192	0.56	123	3	0.42	93	0.10	21	0.17	36.8
25(2500mm)	2030	10	1.64	360	0.82	180	4	0.56	124	0.13	28	0.22	49.3	
37(3750mm)	2030	15	2.45	540	1.23	270	6	0.85	186	0.19	42	0.34	74.3	
18(1875mm)	2180	12	1.04	228	0.67	147	3	0.42	93	0.10	21	0.17	36.8	
25(2500mm)	2180	12	1.96	432	0.98	216	4	0.56	124	0.13	28	0.22	49.3	
37(3750mm)	2180	18	2.95	648	1.47	324	6	0.85	186	0.19	42	0.34	74.3	

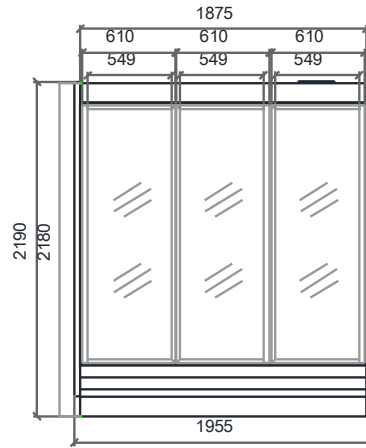
REFRIGERATION DATA	Case Length	Height, mm	Application at T=25 °C, RH=60%	Refrigerant Gas	Required Cooling Capacity, W	Saturated suction Temp. °C	Input Power, Watts	Rated Current, Amps	Power Consumption, Kwh/24h
	18(1875mm)	2030	3M1(-1~5 °C)	R404a	3,150	-10	377	3.6	6.08
	25(2500mm)	2030	3M1(-1~5 °C)	R404a	4,010	-10	588	3.8	9.14
	37(3750mm)	2030	3M1(-1~5 °C)	R404a	6,030	-10	883	5.7	13.72
	18(1875mm)	2180	3M1(-1~5 °C)	R404a	3,610	-10	424	4.2	6.64
	25(2500mm)	2180	3M1(-1~5 °C)	R404a	4,590	-10	671	4.4	10.14
	37(3750mm)	2180	3M1(-1~5 °C)	R404a	6,830	-10	1007	8.4	15.21



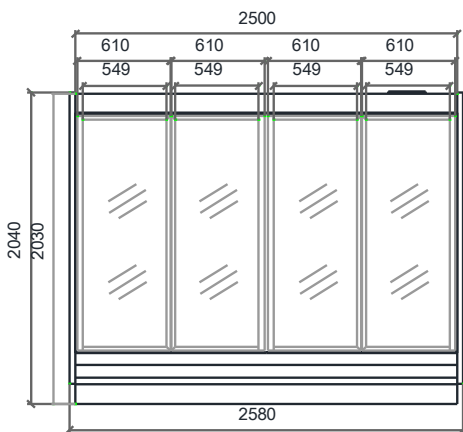
E7 Hemet H2030 3 Door



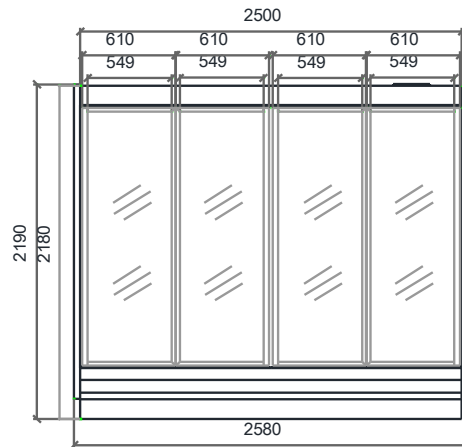
E7 Hemet H2180 3 Door



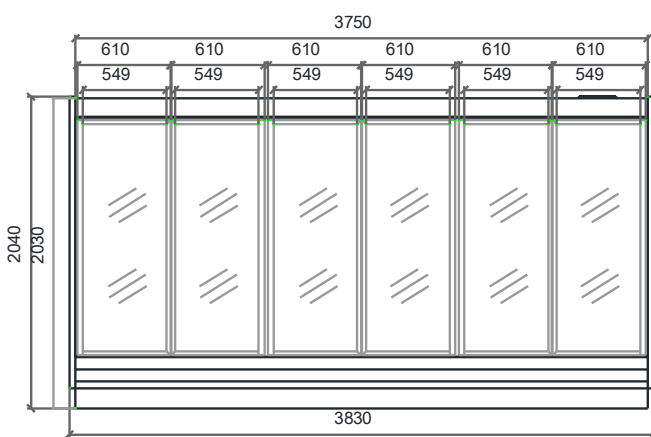
E7 Hemet H2030 4 Door



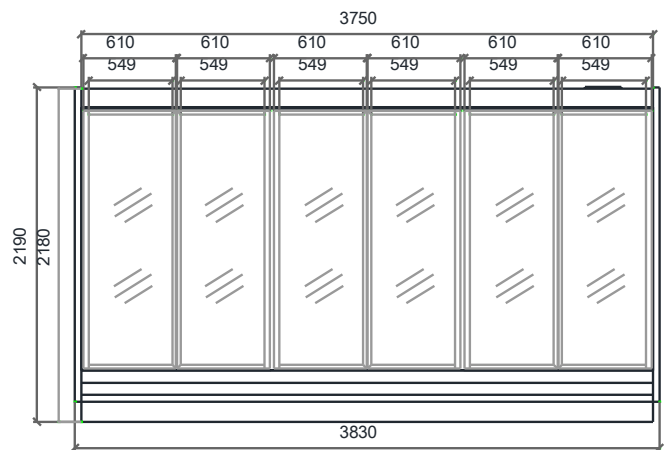
E7 Hemet H2180 4 Door

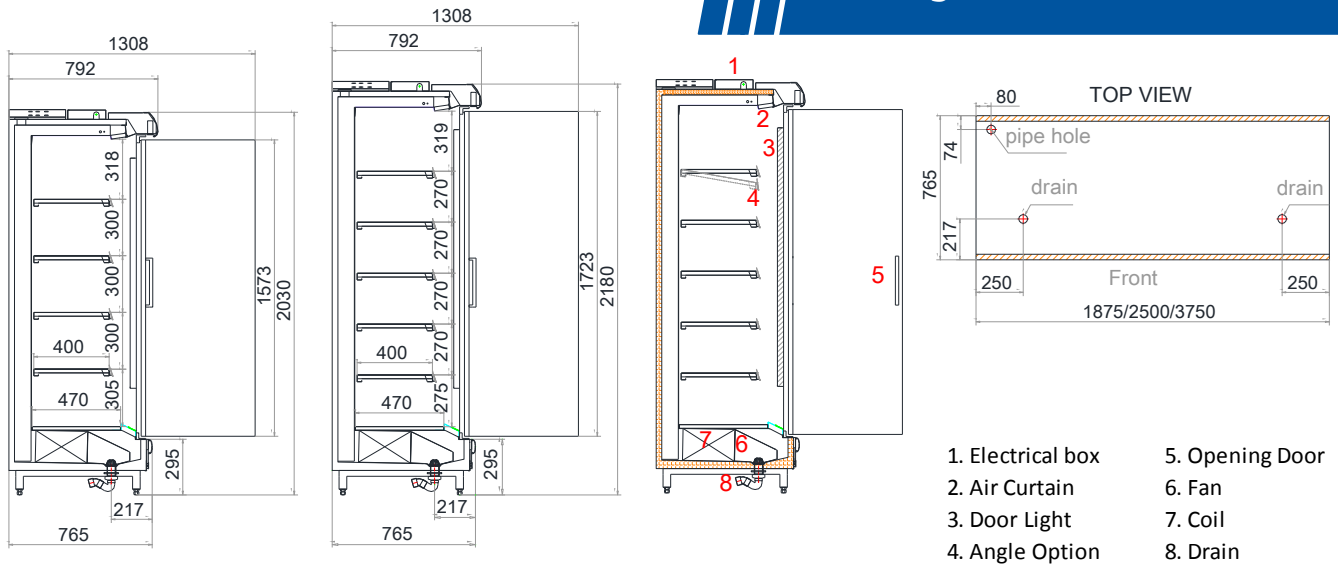


E7 Hemet H2030 6 Door



E7 Hemet H2180 6 Door





SPEC & CAPACITY	Door Qty.	Door Size, mm	Length	Case Height	Model Number	Display Area, m ²	Capacity, dm ³
	3 Door	W610/H1538	18(1875mm)	2030 mm	BZ-E7HM-F18203S-01	2.09	1,155
	4 Door	W610/H1538	25(2500mm)	2030 mm	BZ-E7HM-F25203S-01	2.78	1,540
	6 Door	W610/H1538	37(3750mm)	2030 mm	BZ-E7HM-F37203S-01	4.18	2,310
	3 Door	W610/H1688	18(1875mm)	2180 mm	BZ-E7HM-F18223S-01	2.28	1,260
	4 Door	W610/H1688	25(2500mm)	2180 mm	BZ-E7HM-F25223S-01	3.04	1,680
	6 Door	W610/H1688	37(3750mm)	2180 mm	BZ-E7HM-F37223S-01	4.56	2,520

ELECTRICAL DATA	Case Length	Height, mm	Lighting Data @ 220V				Fan Data @ 220V				Electrical Heater @ 220V					
			Lamps Qty.	Fluorescent T8 Lighting		LED Lighting		Fans Qty.	Standard Fans		High Efficiency Fans		Frame Anti-Sweat		Door Anti-Sweat	
				Amps	Watts	Amps	Watts		Amps	Watts	Amps	Watts	Amps	Watts	Amps	Watts
			18(3Door)	2030	4	0.65	144	0.33	72	3	0.42	93	0.10	21	0.70	154.8
25(4Door)	2030	4	0.65	144	0.33	72	4	0.56	124	0.13	28	0.93	205.3	0.75	164	
37(6Door)	2030	6	0.98	216	0.49	108	6	0.85	186	0.19	42	1.40	308.3	1.12	246	
18(3Door)	2180	4	0.65	144	0.33	72	3	0.42	93	0.10	21	0.70	154.8	0.61	135	
25(4Door)	2180	4	0.65	144	0.33	72	4	0.56	124	0.13	28	0.93	205.3	0.82	180	
37(6Door)	2180	6	0.98	216	0.49	108	6	0.85	186	0.19	42	1.40	308.3	1.23	270	

REFRIGERATION DATA	Case Length	Height mm	Application at T=25 °C, RH=60%	Refrigerant Gas	Required Cooling Capacity, W	Saturated suction Temp. °C	Input Power, Watts	Rated Current, Amps	Power Consumption, Kwh/24h
	18(3Door)	2030	3M1(-1~5 °C)	R404a	2,142	-6	377	3.60	6.08
	25(4Door)	2030	3M1(-1~5 °C)	R404a	2,726	-6	588	3.80	9.14
	37(6Door)	2030	3M1(-1~5 °C)	R404a	4,100	-6	883	5.70	13.72
	18(3Door)	2180	3M1(-1~5 °C)	R404a	2,455	-6	424	4.20	6.64
	25(4Door)	2180	3M1(-1~5 °C)	R404a	3,122	-6	671	4.40	10.14
	37(6Door)	2180	3M1(-1~5 °C)	R404a	4,645	-6	1,007	8.40	15.21

